

Lux-Line Film Roller Blinds

Glare protection from below upwards



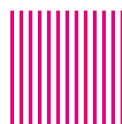
THE PROBLEM

New office designs, reception areas in public buildings, as well as customer areas in banks, quite often have tall and narrow windows. These buildings present an inviting and open atmosphere, especially when the glazing starts at floor level.

The tall and narrow windows have disturbing effect as they produce strong glare on VDU screens. Furthermore, because of the strong solar radiation entering the rooms, there is a build-up of heat from the low windows. Ideally both problems should be resolved. In addition to these, there is a requirement to use the incoming daylight from the upper part of these tall windows to provide natural illumination.

THE SOLUTION

The MULTIFILM Lux-Line range of products has been designed to specifically solve these problems. This type of roller blind, which operates from below upwards, reduces the amount of incoming solar energy in tall and narrow windows. It also opens the possibility of using some of the daylight for natural illumination of the room. When the roller blind is only two thirds drawn-up, the daylight from above can enter the room. In the lower area, at the level of the VDU screens, the partly closed roller blind will ensure the necessary attenuation of the light to allow glare-free operation. Additionally the special MULTIFILM films effectively counteract a large build-up of heat within the room. According to the sun's position in any season of the year, the roller blind can be variably positioned, or even totally closed.



MULTIFILM®

Perfection for windows

Lux-Line Film Roller Blinds

Glare protection from below upwards

The Lux-Line range of products meets the previously described principle characteristics of the MULTIFILM Classic-Line range of products. Below are the particular characteristics of the Lux-Line film roller blinds:

DIRECTION OF OPERATION

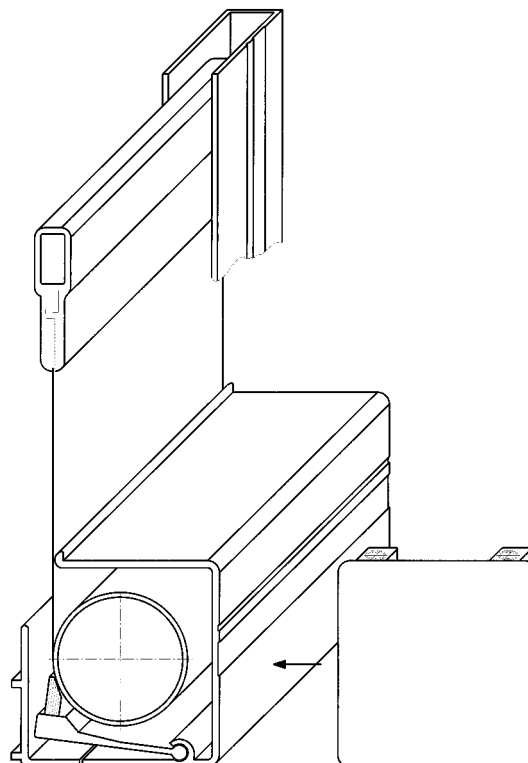
- The curtain is drawn from below upwards

SECTIONS

- End rail without lip
- All guide channels suitable (chain operated blinds only with U38 or U50)
- The upper ends of the lateral guide channels are not rounded off

TECHNICAL DESIGN

- A light gap of 15 - 20 mm in the upper area
- Maximum angle of inclination for the roller blind: horizontal (chain operated blinds 20°)
- Operating options:
 - manual with bead chain or cord
 - motorised
- Draw-out lengths are dependent on the housing section, the type of film, and the mode of operation



Draw out length in mm (Selection of housing)

Mode of operation	Small housing 43 x 43 mm (with brush)	Small housing 43 x 43 mm (without brush)	Large housing 55 x 55 mm
Manual (bead chain or cord)	2.000* / 1.850**	2.200* / 2.000**	3.200* / 3.200**
Motorised	2.000* / 1.850**	2.200* / 2.000**	3.400* / 3.400**

* Dimensions regarding all film types without 80SiBk,50GyGy, 40SiGy, 91GoAt.

** Dimensions regarding film types 80SiBk,50GyGy, 40SiGy, 91GoAt.



MULTIFILM®

Perfection for windows
are available from: